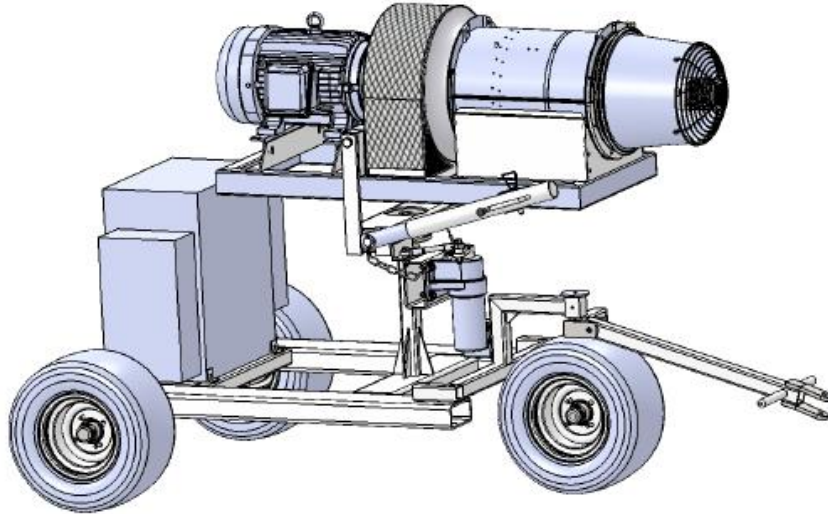




BT-MEC/VFD



AIR ONE ELECTRIC OSCILLATING MONSOON DUST CONTROL UNIT

Misting System	Gyratory Atomizing Nozzle
Hose Input	3/4" Utility / Garden Hose
Minimum Water Volume	1/3 Gallon Per Minute
Maximum Water Volume	20 Gallons Per Minute @120psi
Minimum Water Pressure	40 PSI
Maximum Water Pressure	120 PSI
Droplet size	50-200 Microns
Throw Distance Horizontal	Up to 125 ft. in Neutral Wind Conditions
Throw Distance Vertical	Up to 50 ft. in Neutral Wind Conditions
Warranty	One Year Buffalo Turbine Warranty
Electric Motor Warranty	1 Year Electric Motor Warranty
Electrical System:	460/575 Volt 3 Phase
Input Power:	20 HP Electric Motor
Input RPM:	Variable Speed up to 3550 RPM
If using a Generator a VFD (variable frequency drive) line reactor is required please contact generator manufacturer	
Oscillation	3 Settings from 30 Degrees to 80 Degrees
Frame Length	48"
Overall Length	70"
Width:	36"
Max Height	70"
Weight:	900 lbs

Air One, Inc.
www.aironeinc.com

12 Kendrick Road, Unit 16

508-291-4600

Wareham, MA 02571
info@aironeinc.com