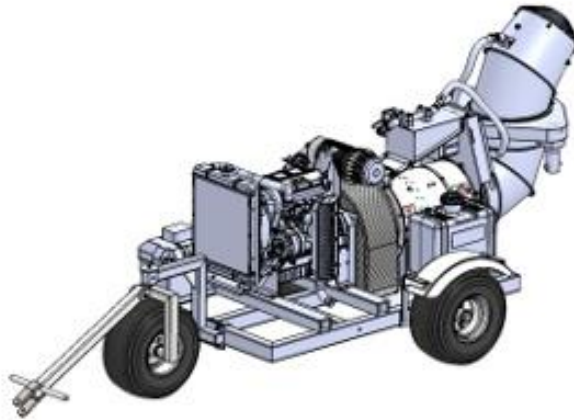




BT-D1003M



AIR ONE DIESEL POWERED OSCILLATING MONSOON DUST CONTROL UNIT

Diesel Powered Turbine Blower

- 16 HP Kohler Lombardini Diesel Motor 3450 rpm.
- 9500 cfm Air volume output
- 160 mph Air Velocity
- 14" Single Stage Turbine
- Heavy Duty Welded Steel Frame
- Water resistant Control box with on-off switch

Oscillation Stand

- 12 Volt Oscillation Motor
- Heavy Duty Welded steel Frame
- Skid mounted with Dual Fork lift Receivers
- Water resistant Control box with on-off switch
- 5 Oscillation settings ranging from 30 to 80 degrees.



- Manual pitch adjustment range from 25 degrees downward angle to 90 degrees straight up.

Gyratory Atomizing Nozzle

- Stainless Steel and aluminum housing and components
- (3) Heavy Duty plastic Fan blades
- 5400 rpm Nozzle speed
- Computer balanced
- 1-25 Gallons per minute
- Generate Water droplet size 50-200 microns
- 60-100 PSI Water pressure required with standard Garden hose connection